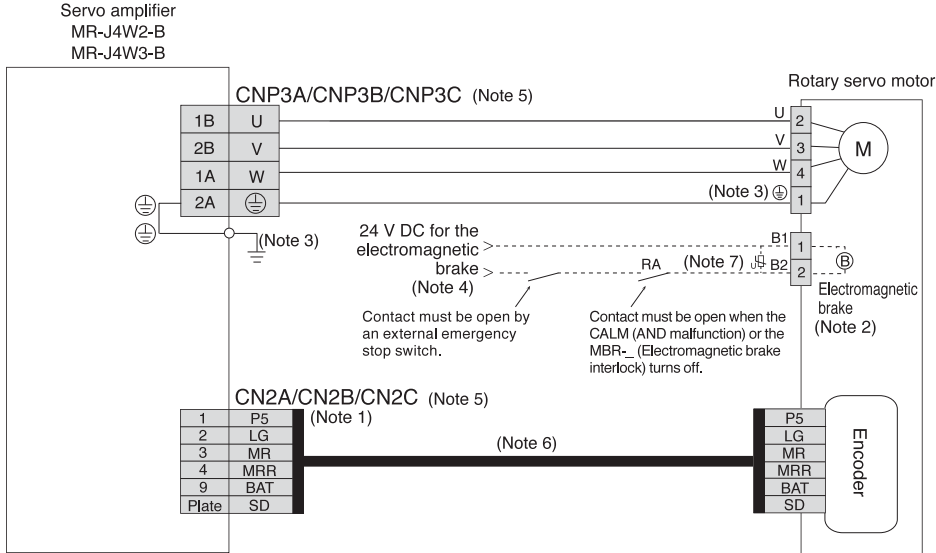
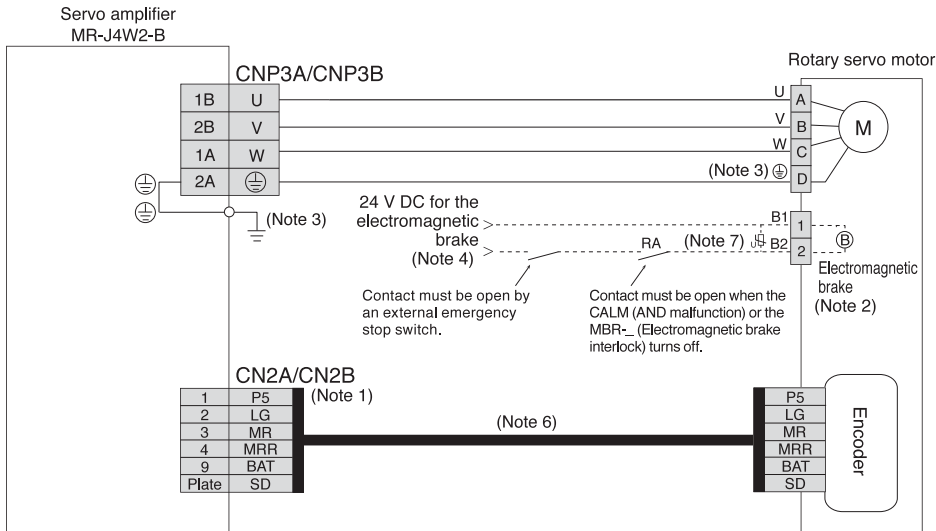


Servo Motor Connection Example (Rotary Servo Motor) Semi-Closed Loop Control System with MR-J4W2-B/MR-J4W3-B

● For HG-KR/HG-MR series



● For HG-SR series



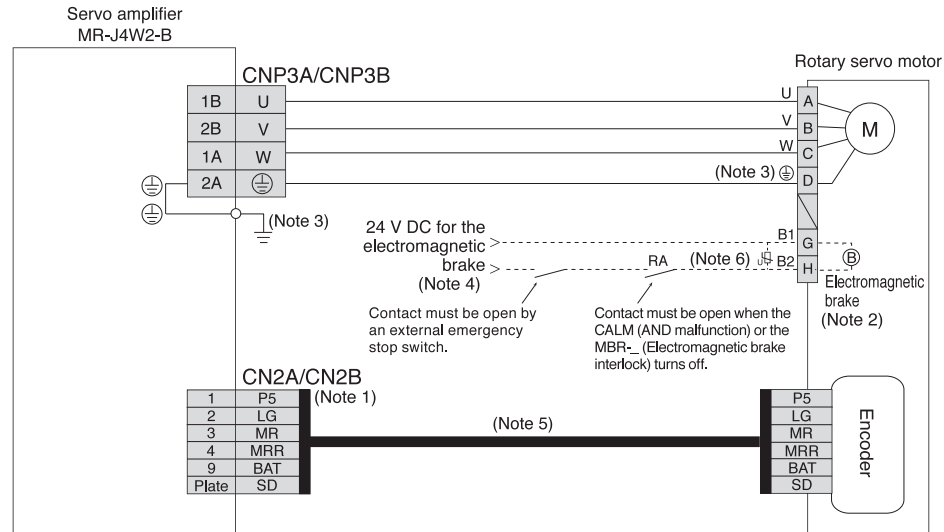
- Notes: 1. The signals shown are applicable when using a two-wire type encoder cable. Four-wire type is also compatible.
 2. This is for the servo motor with electromagnetic brake. The electromagnetic brake terminals (B1, B2) do not have polarity.
 3. Connect the grounding terminal of the servo motor to ⊕ of CNP3A, CNP3B, and CNP3C. Connect the protective earth (PE) terminal (⊕) located on the lower front of the servo amplifier to the cabinet protective earth (PE).
 4. Do not use the 24 V DC interface power supply for the electromagnetic brake. Provide a dedicated power supply to the electromagnetic brake.
 5. CNP3C and CN2C connectors are available for MR-J4W3-B servo amplifier.
 6. Encoder cable is available as an option. Refer to "Servo Motor Instruction Manual (Vol. 3)" when fabricating the cables.
 7. Be sure to install a surge absorber between B1 and B2.



Be sure to read through Instruction Manual for the actual wiring and use. Use the equipment after you have a full knowledge of the equipment, safety information and instructions.

Servo Motor Connection Example (Rotary Servo Motor) Semi-Closed Loop Control System with MR-J4W2-B

● For HG-UR series



- Notes: 1. The signals shown are applicable when using a two-wire type encoder cable. Four-wire type is also compatible.
 2. This is for the servo with electromagnetic brake. The electromagnetic brake terminals (B1, B2) do not have polarity.
 3. Connect the grounding terminal of the servo motor to ⊕ of CNP3A and CNP3B. Connect the protective earth (PE) terminal (⊕) located on the lower front of the servo amplifier to the cabinet protective earth (PE).
 4. Do not use the 24 V DC interface power supply for the electromagnetic brake. Provide a dedicated power supply to the electromagnetic brake.
 5. Encoder cable is available as an option. Refer to "Servo Motor Instruction Manual (Vol. 3)" when fabricating the cables.
 6. Be sure to install a surge absorber between B1 and B2.



Be sure to read through Instruction Manual for the actual wiring and use. Use the equipment after you have a full knowledge of the equipment, safety information and instructions.